

SONISCAPE™ Outdoor Loudspeaker Systems

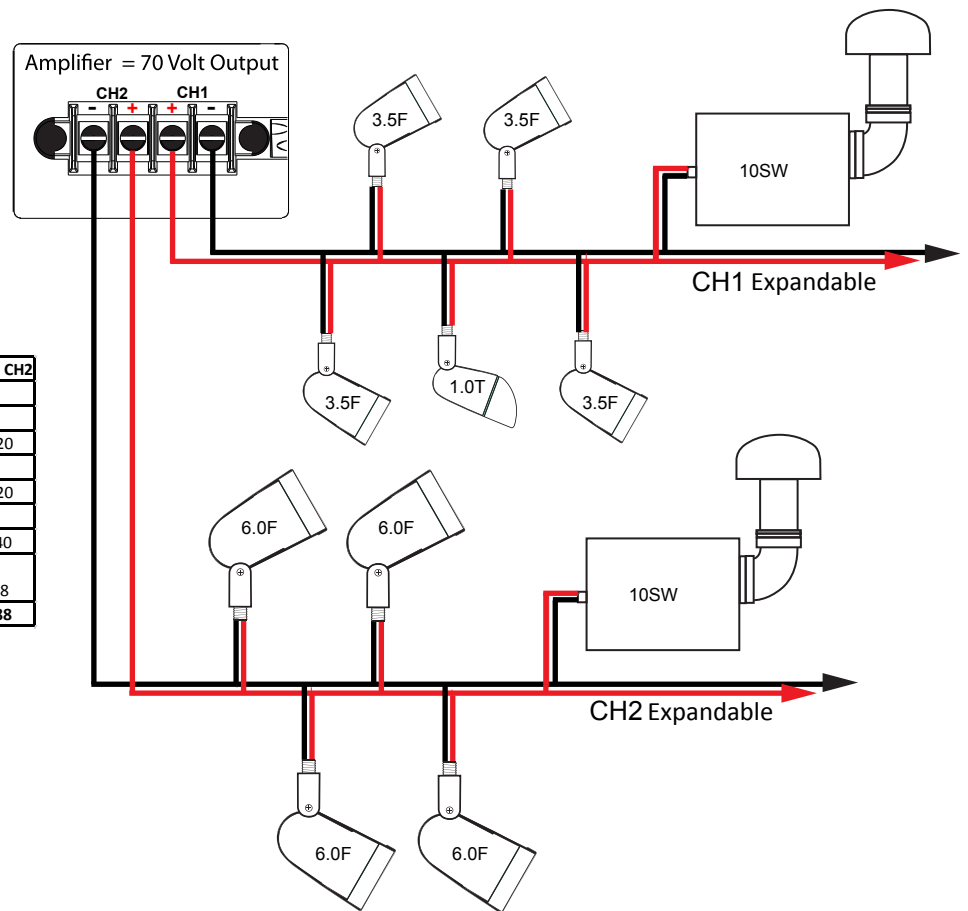
SoniScape 70 Volt System Schematics

Advantages of SoniScapes 70 volt outdoor systems include:

- **Long Distances**
Wire runs up to 1000' from the power amplifier are possible without signal loss or sound deterioration.
- **Flexibility**
Any combination of SoniScape Satellites or Sub-Sonic Woofer Models may be installed, in any order along a single wire run.
- **Expandability**
Any number of Satellites and Sub-Sonic Woofers may be installed in a system, limited only by the output power of the amplifier.
- **Quality Sound**
All Satellites and Sub-Sonic Woofers deliver consistent quality sound regardless of order or position along a given wire run.

Example

This schematic shows (2) 14/2 wire runs and how different models of SoniScape Satellites and Sub-Sonic Woofers can be easily installed, daisy chain in any order, along each wire run up to 1000'.



Wattage Calculator

Model	Qty. CH1	Qty. CH2	X	Watts	Total CH1	Total CH2
1.0T	1		x	20	20	
3.5F	4		x	20	80	
6.0F		4	x	30		120
6.0W			x	30		
10SW	1	1	x	120	120	120
210SW			x	240		
Project: Example				Total	220	240
				20% Head Room	44	48
				Total Minimum Watts	264	288

Recommended amplifier for this system:
Crown Cdi 1000 at 500 watts X 2 channels.
May be used in mono mode for 1 or 2 zones.

Wattage Calculator

Model	Qty. CH1	Qty. CH2	X	Watts	Total CH1	Total CH2
1.0T			x	20		
3.5F			x	20		
6.0F			x	30		
6.0W			x	30		
10SW			x	120		
210SW			x	240		
Project:				Total		
				20% Head Room		
				Total Minimum Watts		

Use the Wattage Calculator to determine the amplifier power required for your system. Simply add the total speaker wattage, for each channel, and add 20% for Headroom. (See Example)

Amplifiers not included. For turnkey installations, and as a convenience to our customers, we recommend and offer Crown amplifiers as an option to power your SoniScape System.

